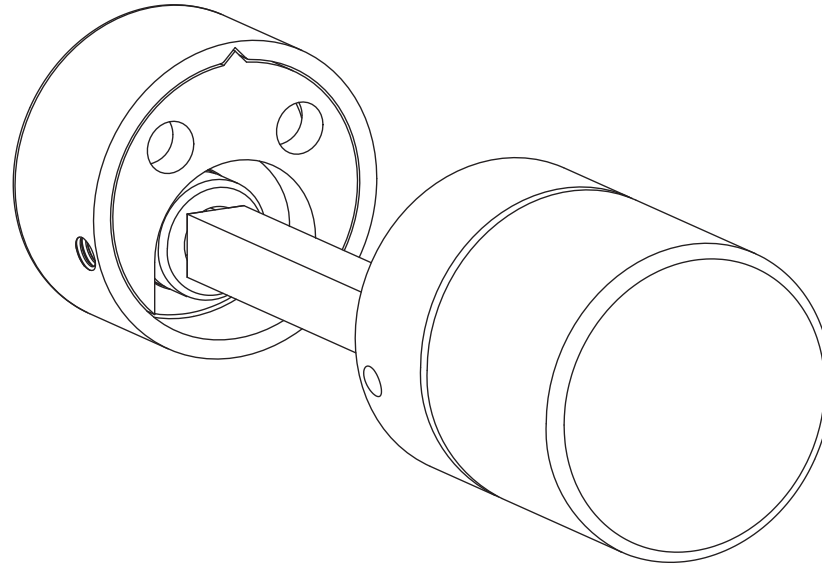


Install Instructions

Snib



Scan for
Australian
Warranty



Scan for
New Zealand
Warranty



Scan for
Product &
Finish Care
Information



Contact Us
Southern Design Group

Australia
14 - 16 Stepney Street,
Stepney, South Australia 5069
P: +61 (0)8 8362 1133
info@bankstonarchitectural.com.au
bankstonarchitectural.com.au

New Zealand
P: +64 (0)6 359 0008
info@bankstonarchitectural.co.nz
bankstonarchitectural.co.nz

SDG Trading Pty Ltd
trading as Bankston Architectural
ACN 008 154 041
ABN 18 008 154 041

*Image used for illustration
purposes only.

1. Marking the Door

1.1 Select the place of installation, this will be relevant to the location of the installed door lever. (Figure 1)

1.2 Affix the template in the marked location, see drill template below. (Figure 2)

2. Installing Snib

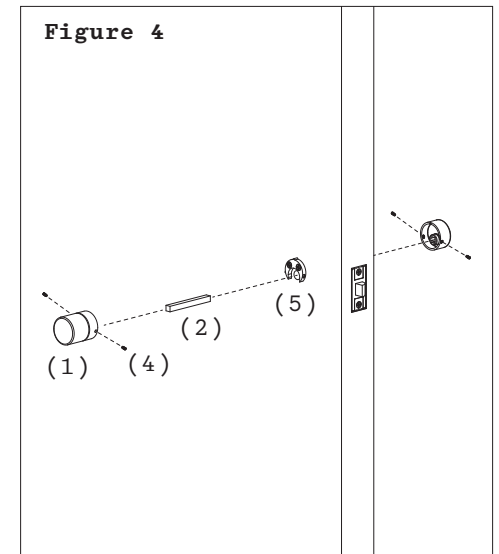
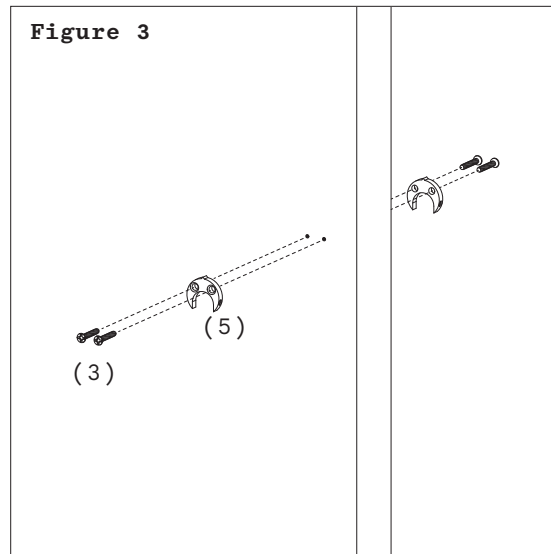
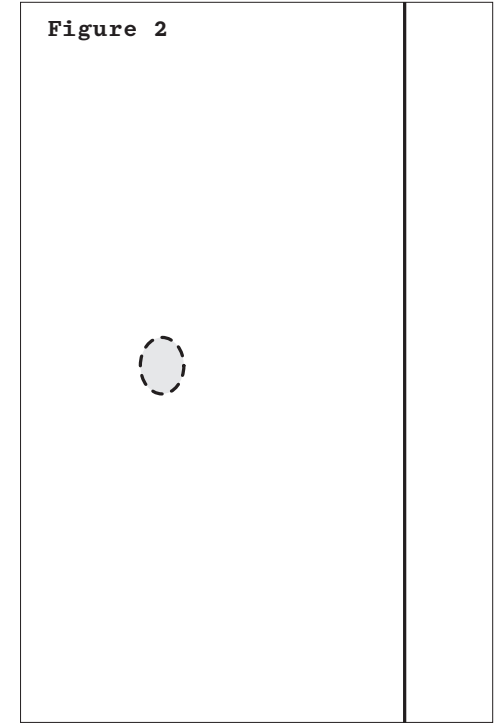
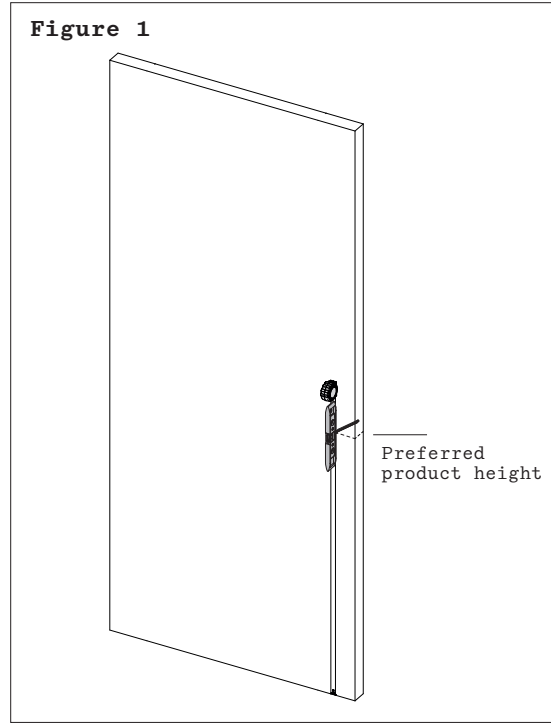
2.1 Drill a 7.5mm hole from each side of the door to prevent the wood splitting to accommodate snib spindle. (Figure 2)

2.2 Drill pilot holes to the appropriate depth for the wood screws from both sides of the door (Figure 3)

2.2 Install the base plates onto both side of the door using screws provided. (Figure 3)

2.3 Check spindle length and cut if necessary.

2.4 Install privacy and emergency release using grub screws and tighten with supplied Allen key. (Figure 4)



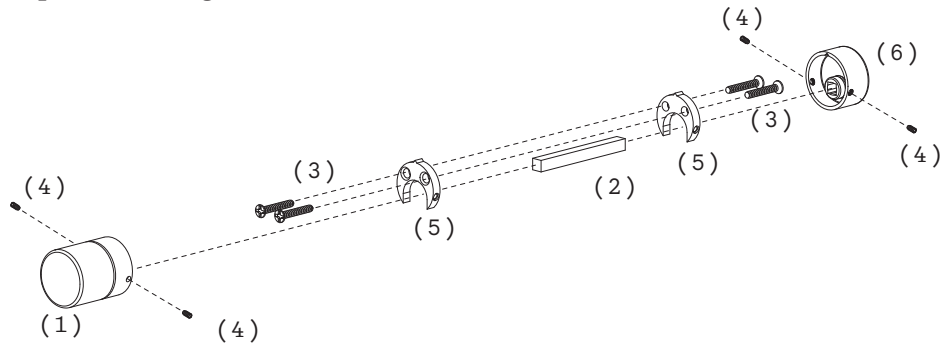
IMPORTANT:

Please install this hardware in the following order to ensure its warranty is not voided.

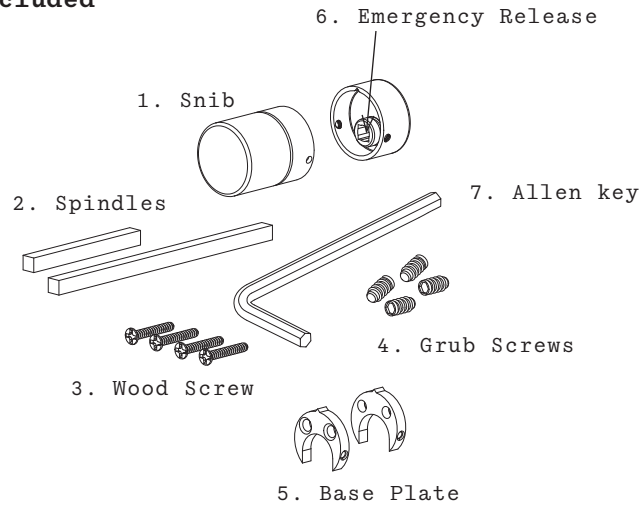
1. Install the hardware on raw/unfinished door using the instructions provided.
2. Remove hardware (where possible) and store safely. Do not place tape onto the hardware as this will damage the finish.
3. Paint / finish door.
4. Reinstall hardware.

For number references please refer to included items on reverse.

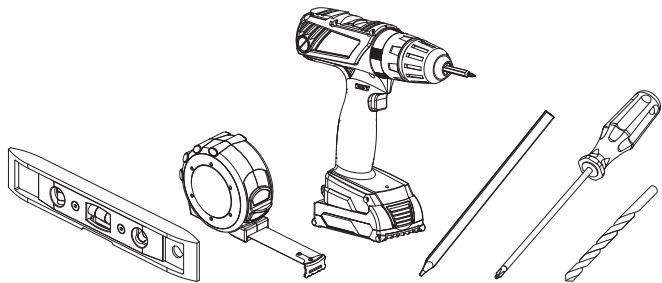
Exploded Diagram



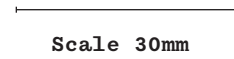
Included



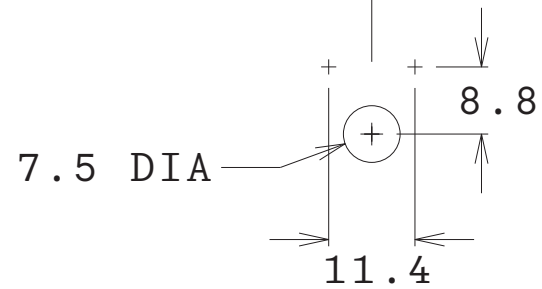
Not Included



Snib Drilling Template Scale 100%



Backset 45/60/70mm



CUT ALONG DOTTED LINE

