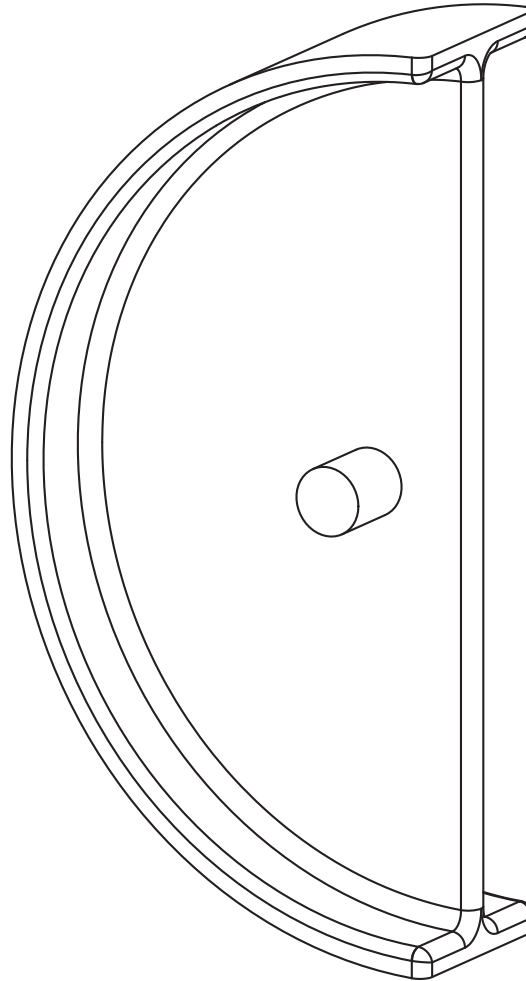


Install Instructions

Pull 03

W38 & W40



Scan for
Australian
Warranty



Scan for
New Zealand
Warranty



Scan for
Product &
Finish Care
Information



Contact Us
Southern Design Group

Australia
14 - 16 Stepney Street,
Stepney, South Australia 5069
P: +61 (0)8 8362 1133
info@bankstonarchitectural.com.au
bankstonarchitectural.com.au

New Zealand
P: +64 (0)6 359 0008
info@bankstonarchitectural.co.nz
bankstonarchitectural.co.nz

SDG Trading Pty Ltd
trading as Bankston Architectural
ACN 008 154 041
ABN 18 008 154 041

*Image used for illustration
purposes only.

1. Marking the Door

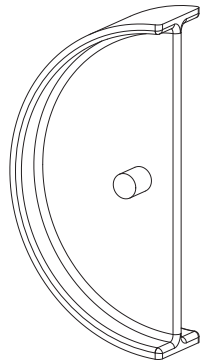
1.1. Mark the fixing point on the edge of your door at the desired height. (Figure 1)

1.2 Affix the template below on the door. (Figure 2)

1.3 Cut the cavity of the semi-circle using your preferred method. (Figure 3)

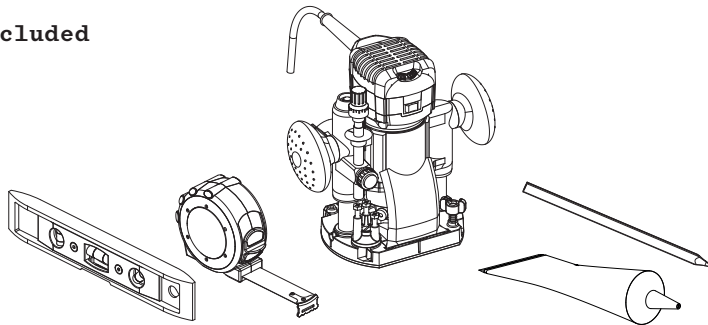
1.4 Apply your preferred adhesive and fit to cut out. (Figure 3)

Included



1. Cavity Pull

Not Included



IMPORTANT:

Please install this hardware in the following order to ensure its warranty is not voided.

1. Install the hardware on raw/unfinished door using the instructions provided.
2. Remove hardware (where possible) and store safely. Do not place tape onto the hardware as this will damage the finish.
3. Paint / finish door.
4. Reinstall hardware.

Figure 1

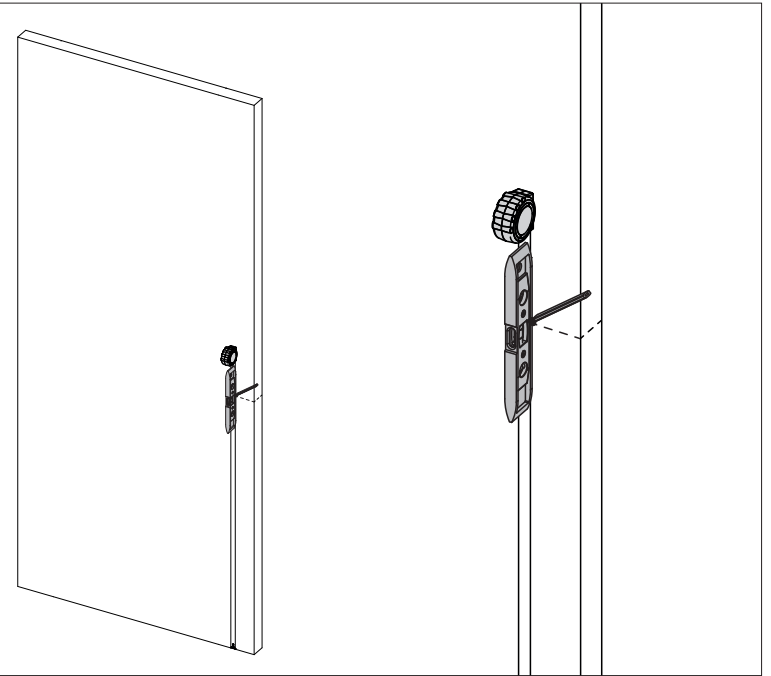


Figure 2

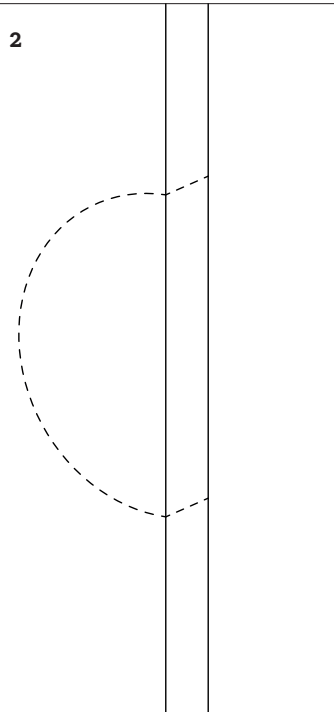
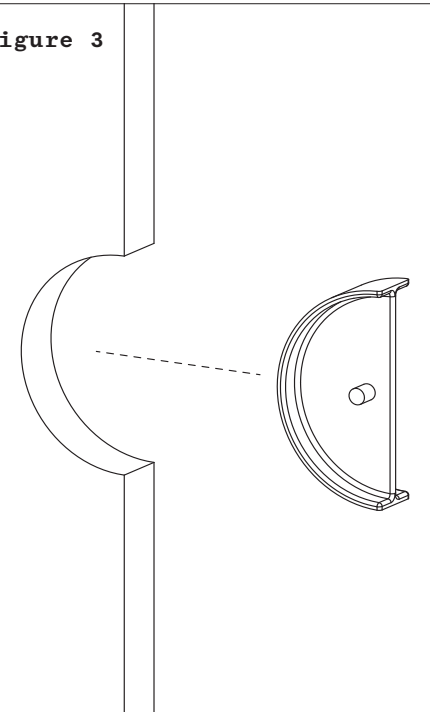


Figure 3



Pull 03
Cutting Template
100% Scale

