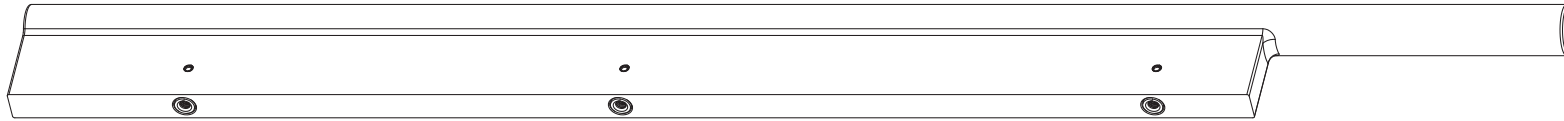


# Install Instructions

Pull 02

1200mm



Scan for  
Australian  
Warranty



Scan for  
New Zealand  
Warranty



Scan for  
Product &  
Finish Care  
Information



Contact Us  
Southern Design Group

Australia  
14 - 16 Stepney Street,  
Stepney, South Australia 5069  
P: +61 (0)8 8362 1133  
info@bankstonarchitectural.com.au  
bankstonarchitectural.com.au

New Zealand  
P: +64 (0)6 359 0008  
info@bankstonarchitectural.co.nz  
bankstonarchitectural.co.nz

SDG Trading Pty Ltd  
trading as Bankston Architectural  
ACN 008 154 041  
ABN 18 008 154 041

\*Image used for illustration  
purposes only.

**1. Marking the Door**

1.1 Mark the top fixing point on the face of your door at the desired height and horizontal distance from door edge.

1.2 In most instances, the vertical position should align with the centre of the door stile. Pull 04 should only be installed on a solid door. (Figure 1)

1.3 Using a spirit level, mark the bottom fixing point – noting the CTC measurement is 335mm starting from 165mm from the base of the pull handle. (Figure 2)

**2. Fitting the Pull Handle (Concealed Fix Method)**

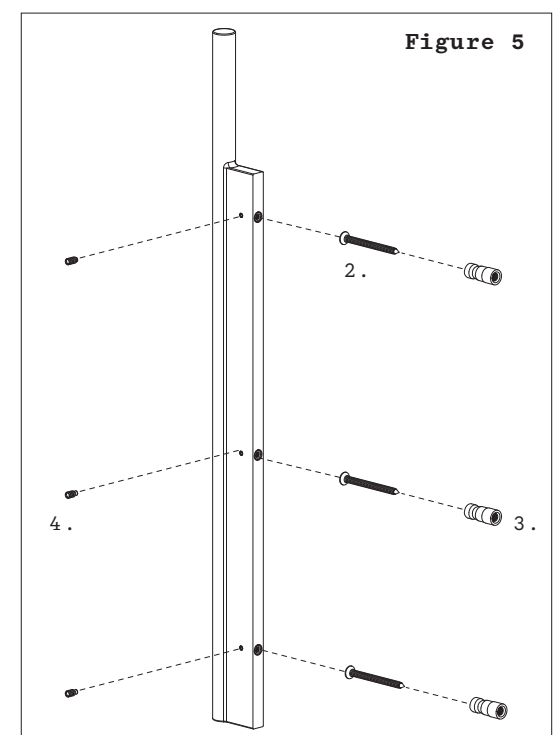
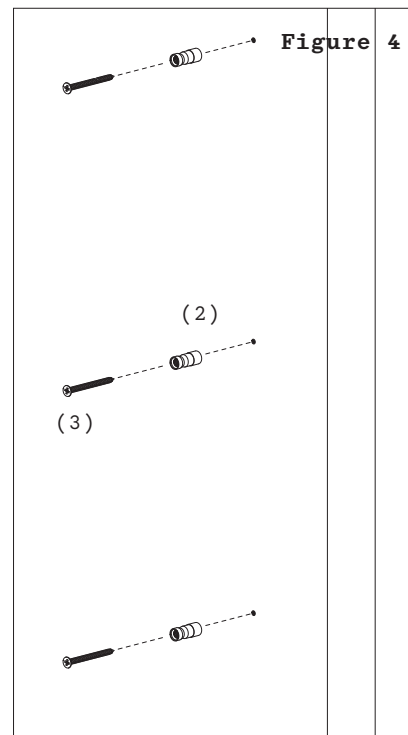
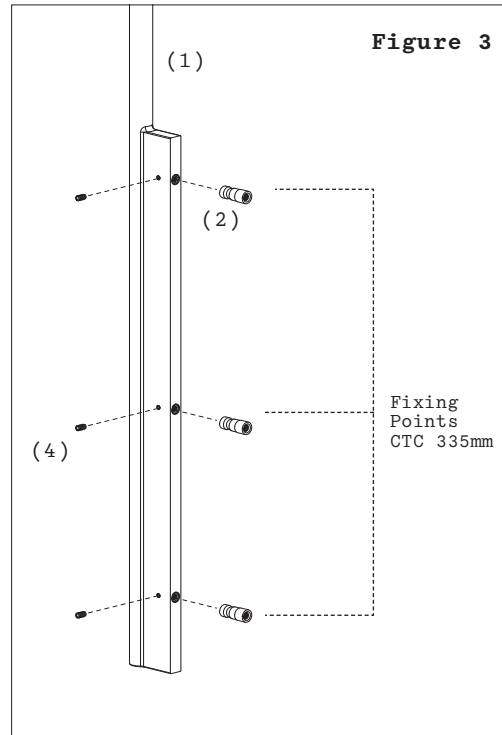
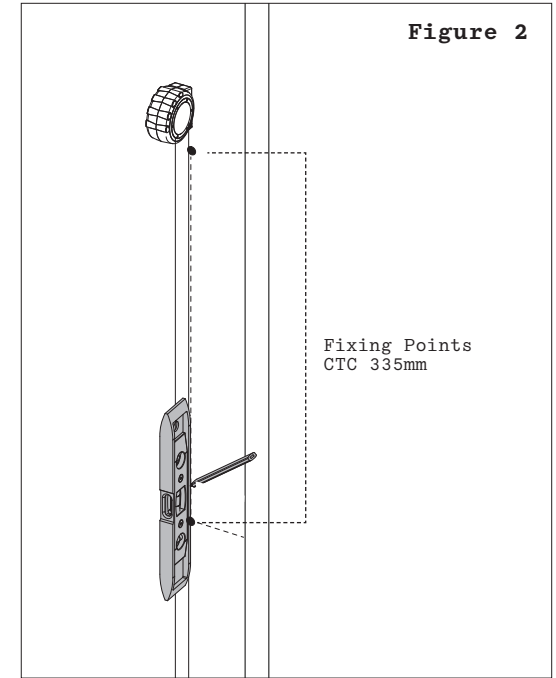
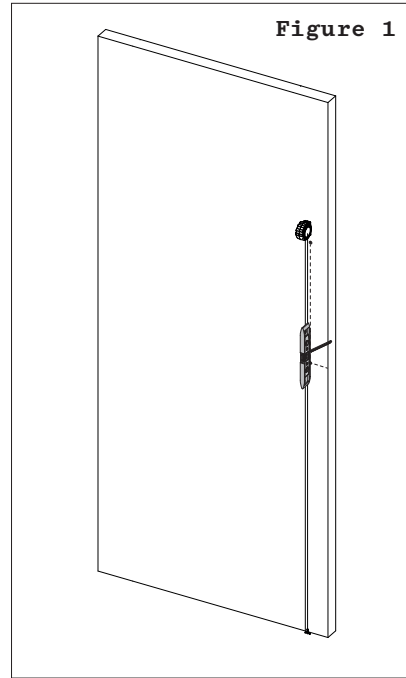
2.1 Remove the pencil spindles from the pull handle by loosening the grub screws. (Figure 3)

**2. Fitting the Pull Handle (Concealed Fix Method) Cont.**

2.2 Drill appropriate pilot holes for the wood screws at each of the pencil spindle locations. (Figure 4)

2.3 Fit pencil spindles using wood screws provided. (Figure 4)

2.4 Place pull handle on pencil spindles and tighten grub screws to secure. (Figure 5)



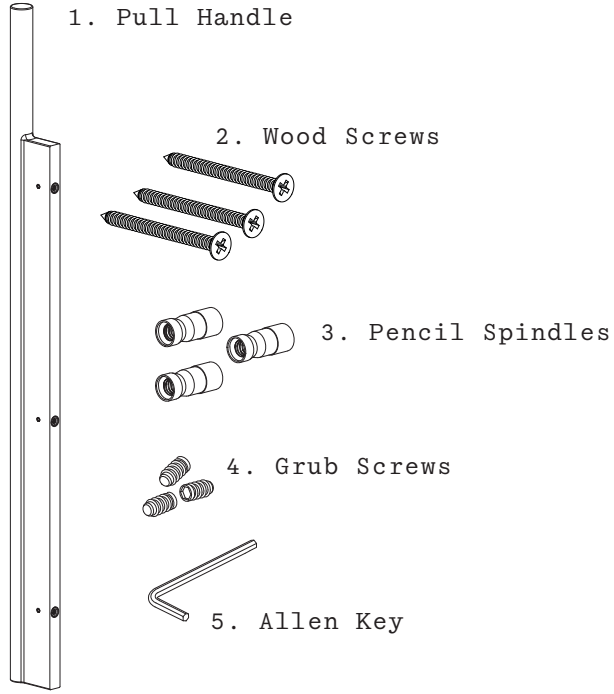
**IMPORTANT:**

Please install this hardware in the following order to ensure its warranty is not voided.

1. Install the hardware on raw/unfinished door using the instructions provided.
2. Remove hardware (where possible) and store safely. Do not place tape onto the hardware as this will damage the finish.
3. Paint / finish door.
4. Reinstall hardware.

For number references please refer to included items on reverse.

Included



Not Included

