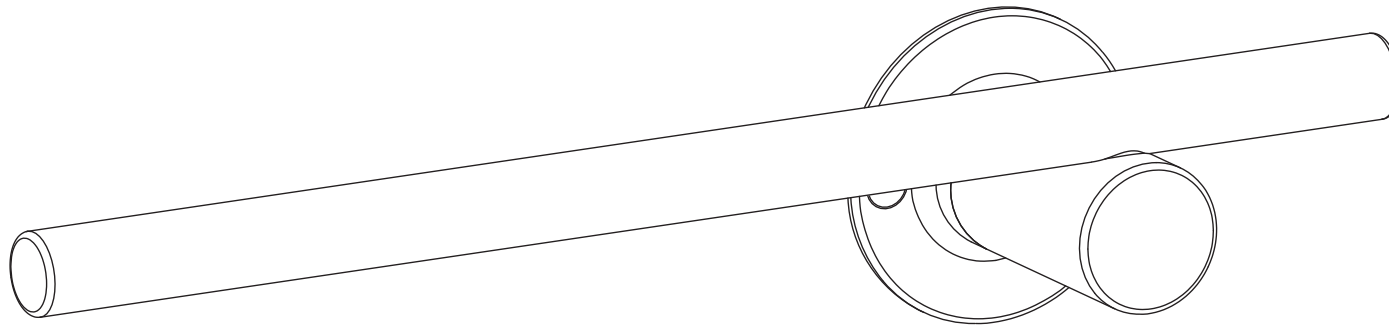


Install Instructions

Lever 02



Scan for
Australian
Warranty



Scan for
New Zealand
Warranty



Scan for
Product &
Finish Care
Information



Contact Us
Southern Design Group

Australia
14 - 16 Stepney Street,
Stepney, South Australia 5069
P: +61 (0)8 8362 1133
info@bankstonarchitectural.com.au
bankstonarchitectural.com.au

New Zealand
P: +64 (0)6 359 0008
info@bankstonarchitectural.co.nz
bankstonarchitectural.co.nz

SDG Trading Pty Ltd
trading as Bankston Architectural
ACN 008 154 041
ABN 18 008 154 041

*Image used for illustration
purposes only.

1. Marking the Door

1.1 Mark the edge of your door at the desired height of your lever. See drill template below. (Figure 1)

1.2 We recommend around 900mm-1000mm from floor level, or at the centre of a lock rail on a panel door.

1.3 Using a spirit level, mark the door at the desired lever height, continuing the line from the front of the door, around the edge and onto the back of the door. (Figure 2)

1.4 We recommend extending the line 100mm onto each face of the door.

2. Prepare Tie bolts

2.1 If using face fix timber screws (not recommended) proceed to step 3.2.

2.2 If required, shorten male tie bolt to suit door thickness.

2.3 Ensure to cut so that the screw has enough thread (12mm at least) to hold female thread. (Figure 3)

3. Install Levers

3.1 Drill appropriate size holes and install the halves on either side of the door, ensuring the levers function in the correct direction. (Figure 4)

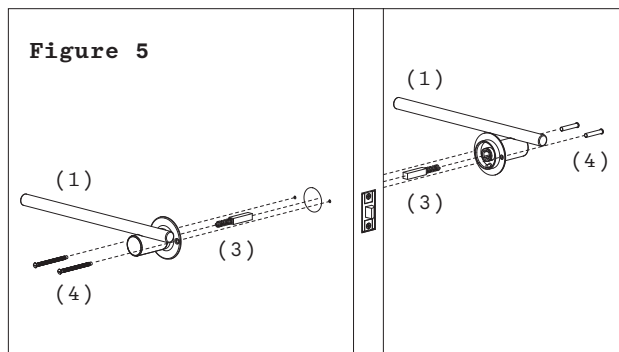
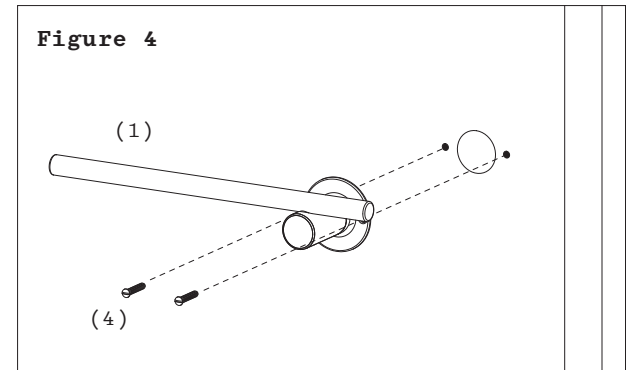
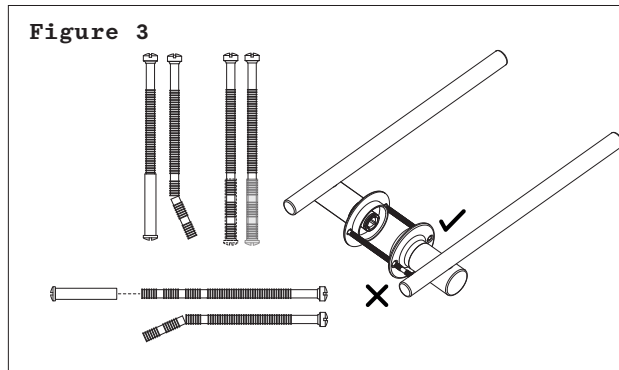
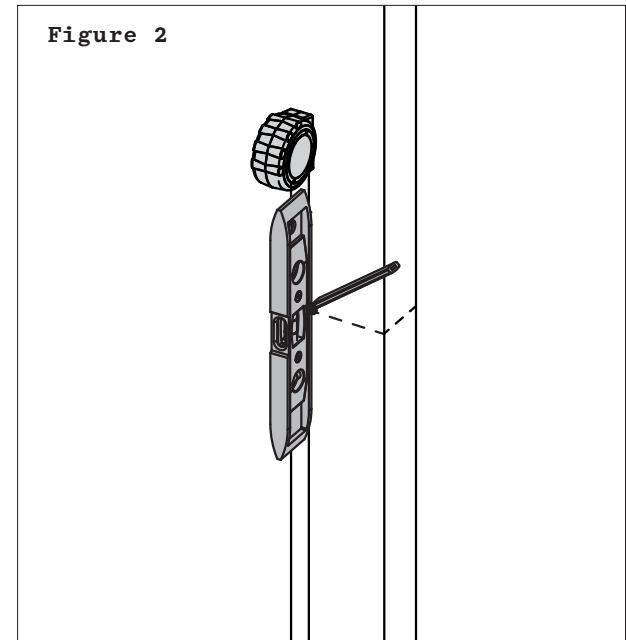
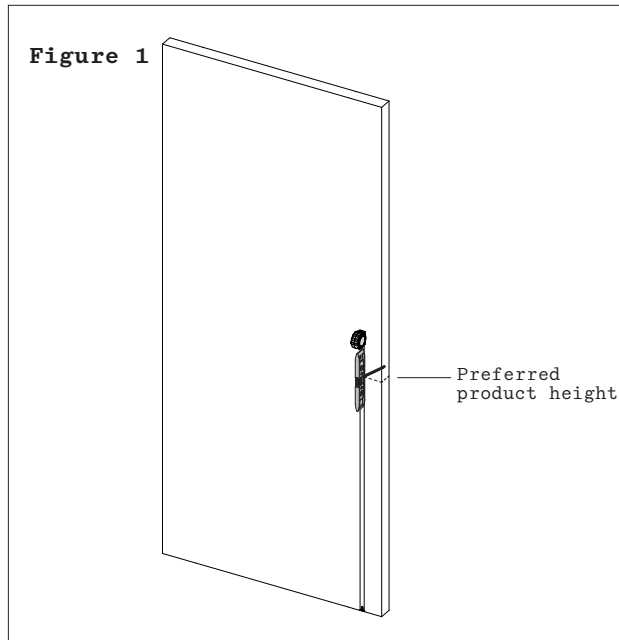
3.2 Place the split spindles into the latch from either side of the door. (Figure 5)

3.3 Fit the female tie bolts through holes of one rose, then fit male tie bolts through the other side and tighten. (Figure 5)

IMPORTANT:

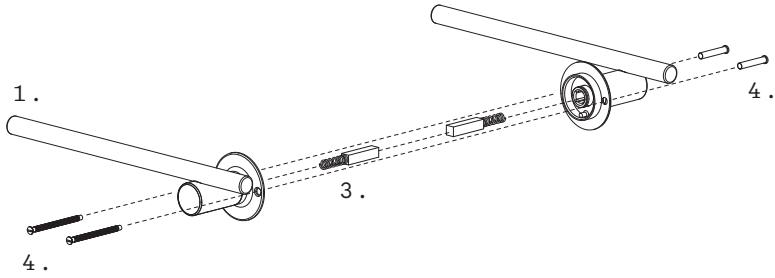
Please install this hardware in the following order to ensure its warranty is not voided.

1. Install the hardware on raw/unfinished door using the instructions provided.
2. Remove hardware (where possible) and store safely. Do not place tape onto the hardware as this will damage the finish.
3. Paint / finish door.
4. Reinstall hardware.

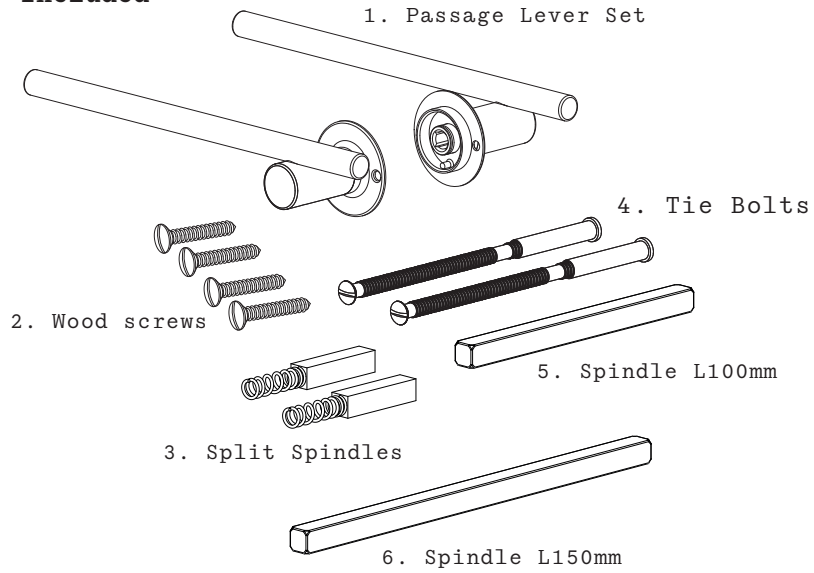


For number references please refer to included items on reverse.

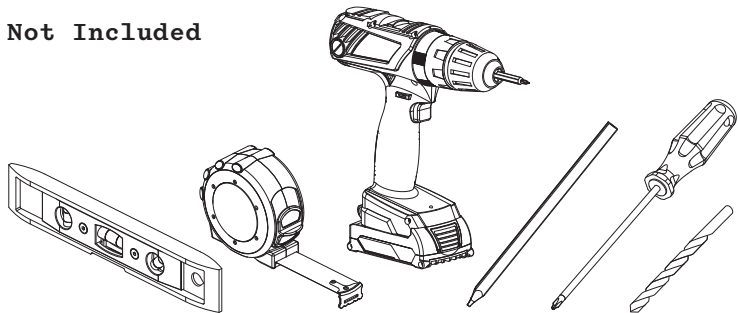
Exploded Diagram



Included



Not Included



CUT ALONG DOTTED LINE



Lever 02
Drill Template
Scale 100%

